



# AUTOMATIC POOL FILLER

## MODEL T40-B

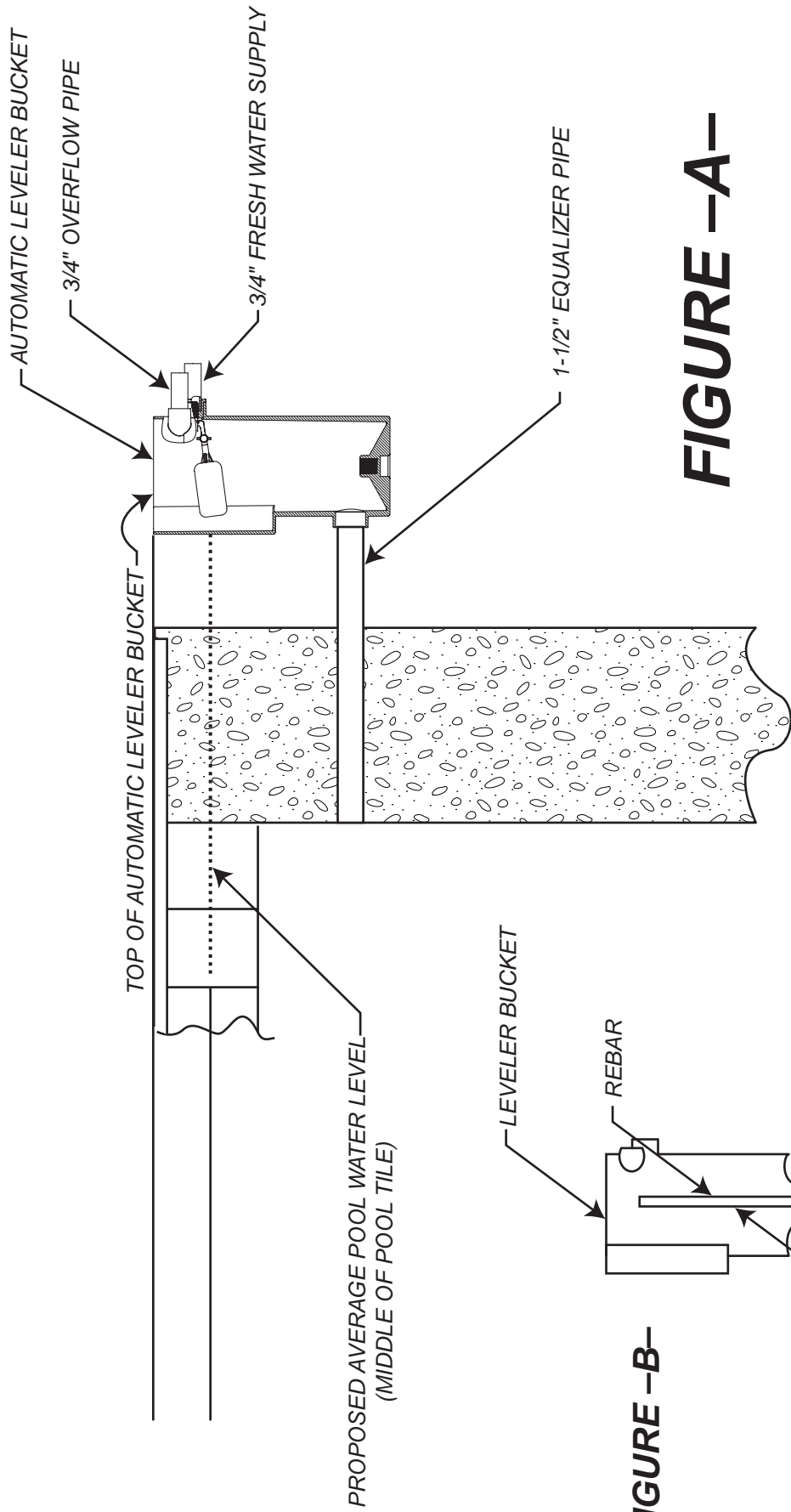
### Installation Instructions

Prior to installation, check local building codes for exceptions to these instructions.

1. Install leveler bucket so top of bucket is flush with bond beam of pool (See Fig. A). Ring and Lid then should be installed flush with deck. Use rebar mounting flanges provided on bucket to insure and aid in keeping bucket level during concrete pour.
2. Install 1-1/2" equalizer pipe. **IMPORTANT:** Equalizer pipe must be straight, as shown in Figure A. The use of any 45° or 90° could cause air lock and void warranty. Use only PVC to ABS joint cement for this application.
3. Connect 3/4" fresh water supply pipe to side leveler bucket. (See Fig. A).
4. You can pressure test auto-fill by plugging threaded hole where plastic valve is to be installed with 3/8" standard threaded plug. **CAUTION:** Do not over tighten.
5. Remove test plug and flush supply line for approximately 60 seconds or until all debris has cleared.
6. Connect 3/4" overflow pipe in port (See Fig. A), using a PVC to ABS joint cement.
7. Install Plastic Valve assembly with PTFE threaded tape. **IMPORTANT:** Do not use liquid or paste sealers. Pentair Water Pool and Spa, Inc. does not cover warranty if damaged because of over tightening or cross threading.
8. Adjust water level by loosening the wing screw on the float arm and adjust up or down and tighten when water level is achieved.

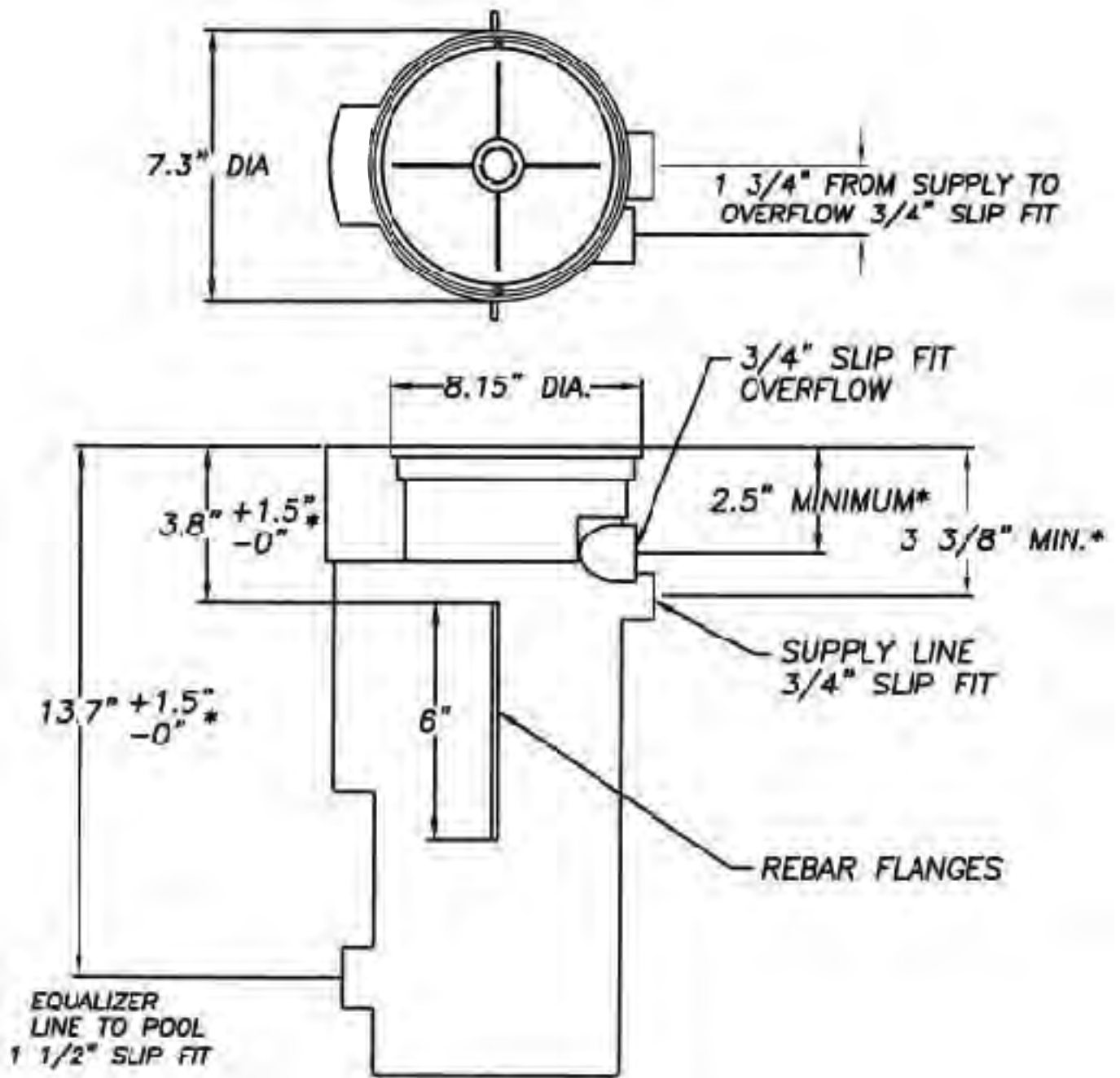
Pentair Water Pool and Spa, Inc.  
1620 Hawkins Ave., Sanford, NC 27330 • (800) 831-7133 • (919) 566-8000  
10951 West Los Angeles Ave., Moorpark, CA 93021 • (800) 831-7133 • (805) 553-5000  
[www.pentairpool.com](http://www.pentairpool.com) or [www.staritepool.com](http://www.staritepool.com)

# AUTOMATIC POOL FILLER INSTALLATION GUIDES Model # T40-B



**FIGURE -B-**

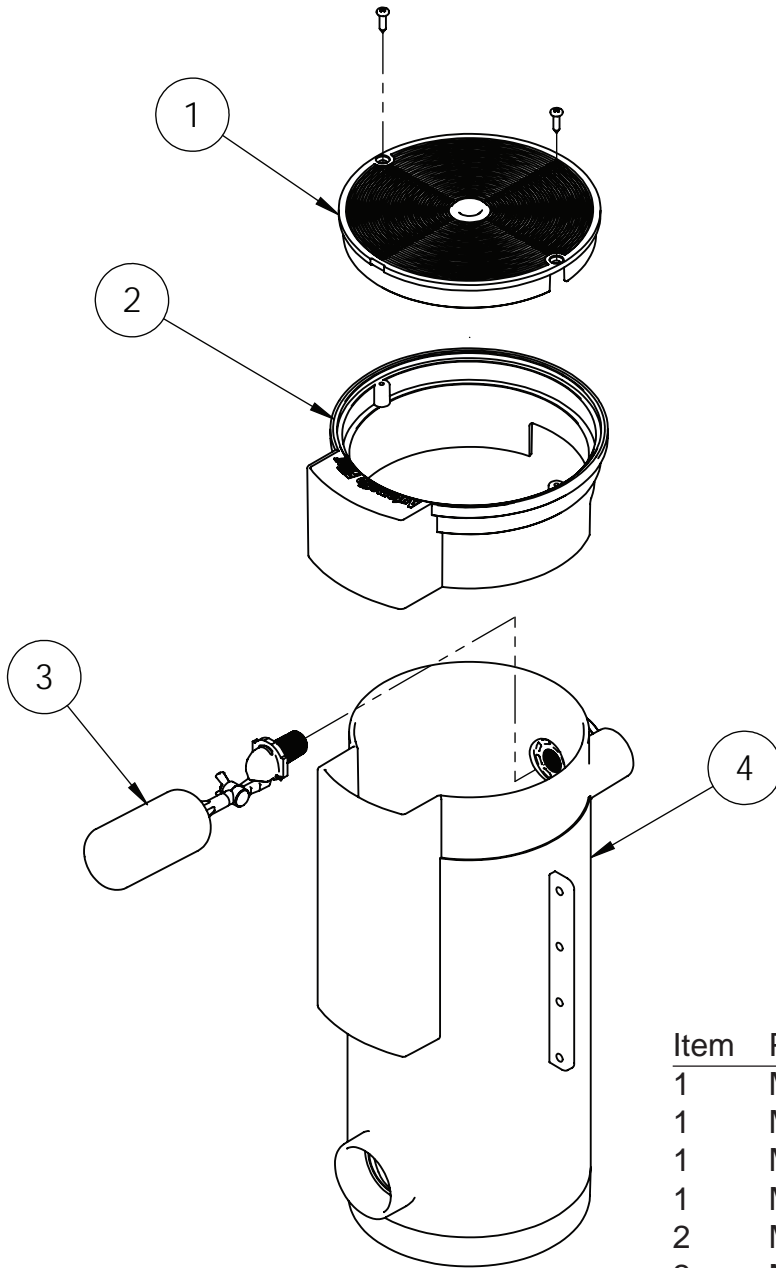
**FIGURE -A-**



**FIGURE C.**

\* REFER TO FIGURE A OF INSTALLATION INSTRUCTIONS FOR HEIGHT OF DECK CONSIDERATIONS.

# Parts List



Item	Part Number	Description
1	MT10W	AutoFill Lid, with screws, White
1	MT10B	AutoFill Lid, with screws, Almond
1	MT10G	AutoFill Lid, with screws, Grey
1	MT10BK	AutoFill Lid, with screws, Black
2	MT16W	AutoFill Top Ring, White
2	MT16B	AutoFill Top Ring, Almond
2	MT16G	AutoFill Top Ring, Grey
2	MT16K	AutoFill Top Ring, Black
3	261058	3/8-in Pipe Thread Float Valve
4	370003	Body, AutoFill

Pentair Water Pool and Spa, Inc.  
 1620 Hawkins Ave., Sanford, NC 27330 • (800) 831-7133 • (919) 566-8000  
 10951 West Los Angeles Ave., Moorpark, CA 93021 • (800) 831-7133 • (805) 553-5000  
[www.pentairpool.com](http://www.pentairpool.com) or [www.staritepool.com](http://www.staritepool.com)

All Pentair trademarks and logos are owned by Pentair or one of its global affiliates. Pentair Aquatic Systems®, Flowmaster®, and Rainbow™ are trademarks and/or registered trademarks of Pentair Water Pool and Spa, Inc. and/or its affiliated companies in the United States and/ or other countries. Unless expressly noted, names and brands of third parties that may be used in this document are not used to indicate an affiliation or endorsement between the owners of these names and brands and Pentair Water Pool and Spa, Inc. Those names and brands may be the trademarks or registered trademarks of those third parties. Because we are continuously improving our products and services, Pentair reserves the right to change specifications without prior notice. Pentair is an equal opportunity employer.

© 2015 Pentair Water Pool and Spa, Inc. All rights reserved. This document is subject to change without notice.